

| | | | | | |
|-------------------------------|-------------------|----------------------------------|------------------------------------|-----------------------------------|---------------------------------------|
| Job Name: | Adapter: | <input type="checkbox"/> KRP4A71 | <input type="checkbox"/> KRP4A72 | <input type="checkbox"/> KRP4A73 | <input type="checkbox"/> KRP4A74 |
| Purchaser: | Installation Kit: | <input type="checkbox"/> KRP4A93 | <input type="checkbox"/> KRP1B98 | <input type="checkbox"/> KRP1C93 | <input type="checkbox"/> KRP1B101 |
| Engineer: | Submitted To: | For: | <input type="checkbox"/> Reference | <input type="checkbox"/> Approval | <input type="checkbox"/> Construction |
| Submitted By: | Date: | | | | |
| Unit Designation: Schedule #: | Model No.: | | | | |
| Location: | | | | | |

FEATURES / BENEFITS

- Applied to individual VRV indoor units to facilitate remote start / stop control and temperature setpoint for remote control groups and contact closure outputs for operation and malfunction status.
- Low cost alternative to traditional energy management integration for small projects with simple control requirements.
- Provides a simple contact closure input (configurable as momentary or constant contact) to remotely start and stop individual VRV indoor units or all indoor units in a remote controller group.
- Provides normally open dry contact outputs for indication of indoor unit operation (on/off) status and malfunction status (normally open contact will close when the host indoor unit is in an alarm condition.)
- Analog input provided for remote temperature setpoint adjustment (Centigrade values only) with a 0-135 Ohm signal. **See note 2 below.**

KRP1B Model Application

| | |
|------------------------------|---------|
| FXSQ, FXMQ, FXAQ, FXNQ, FXLQ | KRP4A71 |
| FXHQ, SkyAir FHQ | KRP4A72 |
| FXFQ, FXZQ, SkyAir FCQ | KRP4A73 |
| FXDQ | KRP4A74 |

Installation Kit Requirements

| | |
|------------------|---------------------------|
| FXAQ | KRP4A93 Installation Box |
| FXFQ, SkyAir FCQ | KRP1B98 Installation Box |
| FXHQ, SkyAir FHQ | KRP1C93 Installation Box |
| FXDQ, FXZQ | KRP1B101 Installation Box |

Power Requirements

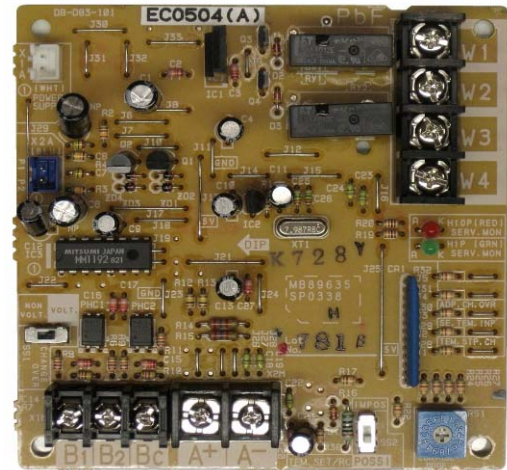
| | |
|------------------------------|--------------------------------|
| PCB Power Supply | Provided by host indoor unit |
| Control Circuit Power Supply | Provided by others if required |

Contact Specifications

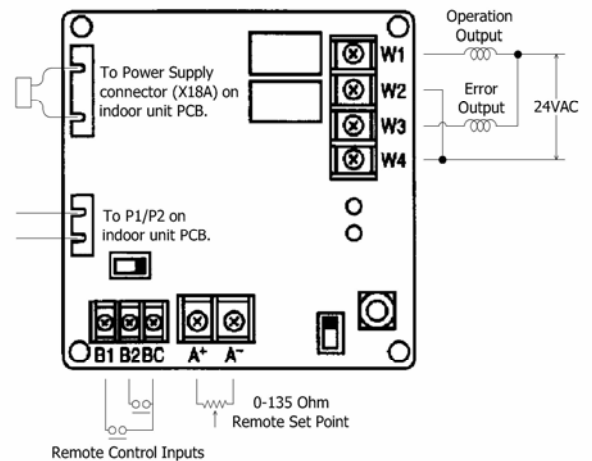
| | |
|-------------------------|---------------------|
| B1-BC, B2-BC | Input Only |
| W1-W2 Allowable Current | 10mA to 3A at 24VAC |
| W3-W4 Allowable Current | 10mA to 3A at 24VAC |
| (A+) (A-) | 0-135 Ohm |

PCB Connections

| | |
|-----------|---|
| B1-B2-BC | Non-voltage input only |
| (A+) (A-) | Analog 0-135 ohm input. |
| W1-W2 | Operation status output / Dry contact |
| W3-W4 | Malfunction status output / Dry contact |
| X18A | Harness connection to VRV indoor unit PCB |
| P1-P2 | To indoor unit PCB P1-P2 terminals |



Wiring Schematic



Application Notes

1. Control mode selector switch (RS1) allows the installer to configure the start / stop priority between the adapter and operation button on the remote controller.
2. Non-linear Fahrenheit temperature setpoint equivalents to the standard Centigrade (1°C increments) control basis will result in various setpoint values being unavailable through the analog input.